

**TRAY AND RACK DISPENSER COUNTER SERIE TRD-IN**

**SPECIFICATIONS:**

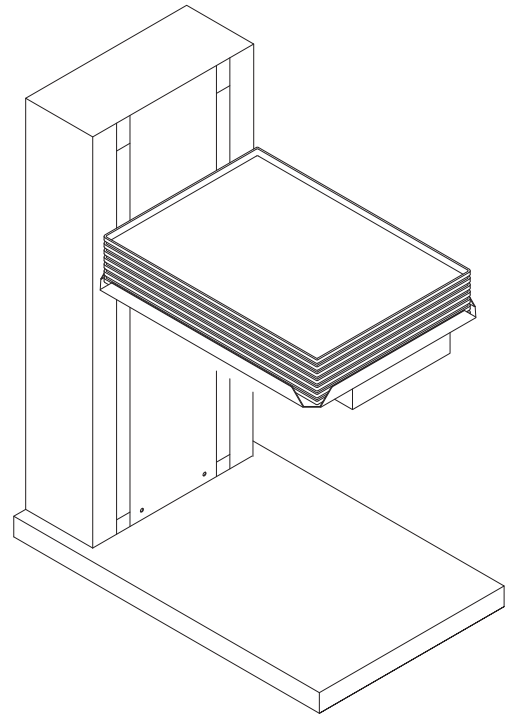
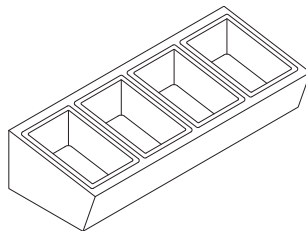
Stainless steel 304 # 4  
Cantilever design

**OPTION:**

Upper shelf for cutlery ( various sizes and models available )  
Complete hinged cover for upper shelf

**APPLICATIONS:**

Cafeteria  
Serving lines  
Serving stations



**OTHER SIZES AVAILABLE UPON REQUEST**

MODEL NUMBER	TRD-IN 1020	TRD-IN 1219	TRD-IN 1418	TRD-IN 1321	TRD-IN 1520	TRD-IN 1620	TRD-IN 1622	TRD-IN 2020
<b>TRAY AND RACK SIZE</b> Inch / mm	10" x 20" 254x508mm	12" x 19" 305x483mm	14" x 18" 356x457mm	13" x 21" 330 x 534mm	15" x 20" 381x508mm	16" x 20" 406x508mm	16" x 22" 406x559	20" x 20" 508x508
<b>OVERALL WIDTH</b> Inch / mm	16.75" 426mm	16.75" 426mm	16.75" 426mm	16.75" 426mm	16.75" 426mm	16.75" 426mm	16.75" 426mm	20.50" 521mm
<b>OVERALL DEPTH</b> Inch / mm	27.63" 702mm	26.63" 677mm	25.63" 651mm	28.63" 728mm	27.63" 702mm	27.63" 702mm	29.63" 752mm	27.63" 702mm
<b>OVERALL HEIGHT</b> Inch / mm	28.50" 724mm	28.50" 724mm	28.50" 724mm	28.50" 724mm	28.50" 724mm	28.50" 724mm	28.50" 724mm	28.50" 724mm
<b>SHIPPING WEIGHT</b> Lbs. / Kg	97 Lbs. 44.0 Kg	97 Lbs. 44.0 Kg	99 Lbs. 45.0 Kg	101 Lbs. 45.9 Kg	101 Lbs. 45.9 Kg	99 Lbs. 45.0 Kg	103 Lbs. 46.8 Kg	109 Lbs. 49.5 Kg

