

**MOBILE TRAY AND RACK DISPENSER SERIE** **MTRD**

**SPECIFICATIONS:**

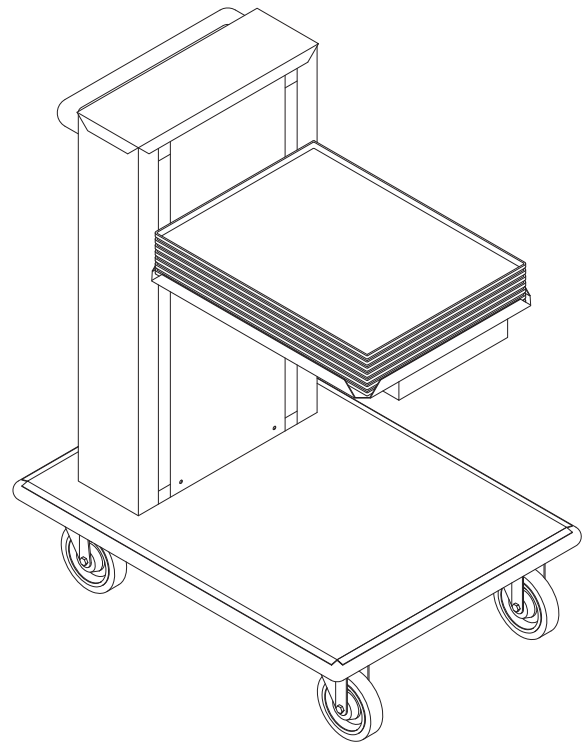
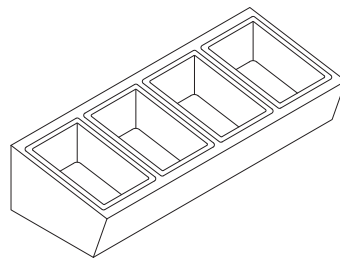
- Stainless steel 304 # 4
- Cantilever design
- Wrap-around bumper
- 5"Ø all swivel, non marking casters with brakes on two

**OPTION:**

- Upper shelf for cutlery ( various sizes and models available )
- Complete hinged cover for upper shelf

**APPLICATIONS:**

- Cafeterias
- Tray make up systems
- Modular buffet systems
- Serving stations



**WIDTH AND DEPTH DIMENSIONS INCLUDE BUMPER  
OTHER SIZES AVAILABLE UPON REQUEST**

MODEL NUMBER	MTRD 1020	MTRD 1219	MTRD 1418	MTRD 1321	MTRD 1520	MTRD 1620	MTRD 2020	MTRD 1622
<b>TRAY AND RACK SIZE</b> Inch/ mm	10" x 20" 254 x508mm	12" x 19" 305 x483mm	14" x 18" 356 x457mm	13" x 21" 330 x 534mm	15" x 20" 381x508mm	16" x 20" 406 x508mm	20" x 20" 508 x508mm	16" x 22" 406 x559mm
<b>OVERALL WIDTH</b> Inch / mm	20.00" 508mm	20.00" 508mm	20.00" 508mm	20.00" 508mm	20.00" 508mm	20.00" 508mm	23.50" 597mm	20.00" 508mm
<b>OVERALL DEPTH</b> Inch / mm	32" 813mm	32" 813mm	32" 813mm	34" 864mm	32" 813mm	32" 813mm	32" 813mm	34" 864mm
<b>OVERALL HEIGHT</b> Inch / mm	37.50" 953mm	37.50" 953mm	37.50" 953mm	37.50" 953mm	37.50" 953mm	37.50" 953mm	37.50" 953mm	37.50" 953mm
<b>SHIPPING WEIGHT</b> Lbs. / Kg	126 Lbs. 57.3 Kg	126 Lbs. 57.3 Kg	126 Lbs. 57.3 Kg	130 Lbs. 50.0 Kg	126 Lbs. 57.3 Kg	126 Lbs. 57.3 Kg	134 Lbs. 60.9 Kg	130 Lbs. 50.0 Kg

