

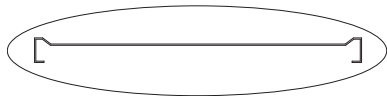
**UTILITY CART** **UC**

**SPECIFICATIONS:**

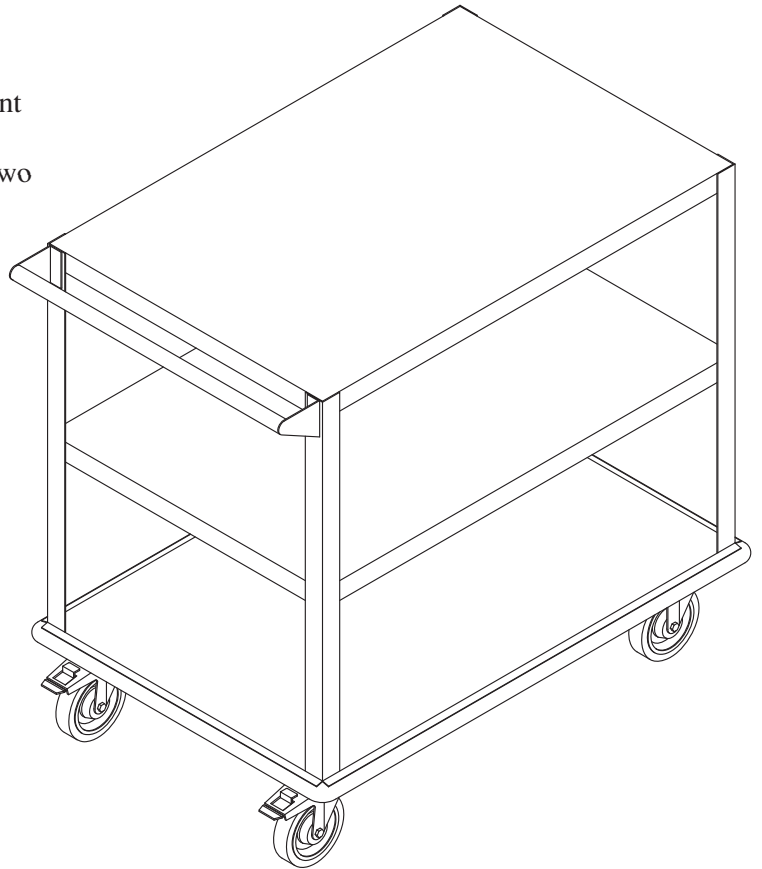
Heavy duty construction  
 Stainless steel 304 # 4  
 14 ga top shelf with a 14ga centered reinforcement  
 16 ga middle shelf with a 14ga centered reinforcement  
 16 ga bottom shelf with three 14 ga reinforcements  
 5"Ø all swivel, non marking casters with brakes on two  
 Wrap-around bumper

**OPTIONAL EQUIPMENT:**

Marine edges



Tilted design



**OTHER SIZES AVAILABLE UPON REQUEST  
 WIDTH AND DEPTH DIMENSIONS INCLUDE BUMPER**

MODEL NUMBER	WIDTH Inch / mm	DEPTH Inch / mm	HEIGHT Inch / mm
UC-2124	22.50" 572mm	25.50" 648mm	36" 914mm
UC-2430	25.50" 648mm	31.50" 800mm	36" 914mm
UC-2436	25.50" 648mm	37.50" 953mm	36" 914mm

