

MOBILE STARTING UNIT

MSU

SPECIFICATIONS:

Stainless steel 304 # 4
Stainless steel 304, 1 5/8"Ø (41mm) tubing
Lower shelf to accept standard size pans to hold cutlery
5"Ø all swivel, non marking casters with brakes on two

APPLICATIONS:

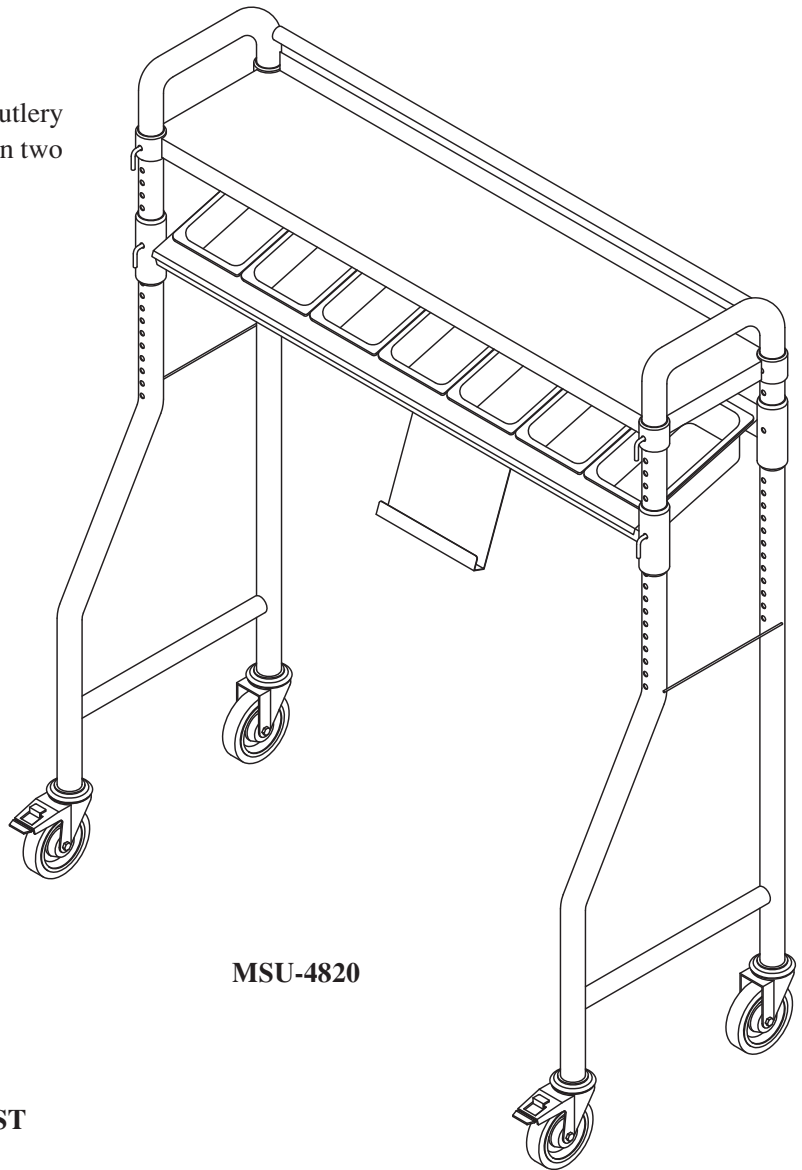
Conveyors
Cafeterias
Tray make up systems
Serving lines
Modular buffet systems
Serving stations

OPTIONS:

Donut bumpers
Menu card holder

DIMENSIONS:

Width : 48" / 1219mm
Depth : 20" / 508mm
Height : 60" / 1524mm
Weight : 125 Lbs. / 56.8 Kg



OTHER SIZES AVAILABLE UPON REQUEST