

CONDIMENT CART UNIT

CCU

SPECIFICATIONS:

Stainless steel 304 # 4

Stainless steel 304, 1"Ø tubing

18 ga shelf with a 14 ga centered reinforcement to accept standard size pans to hold condiments

18 ga bottom shelf with a 14 ga centered reinforcement

5"Ø all swivel, non marking casters with brakes on two

APPLICATIONS:

Conveyors

Cafeterias

Tray make up systems

Serving lines

Modular buffet systems

Serving stations

OPTIONS:

Donut bumpers

Menu card holder

Complete hinged cover

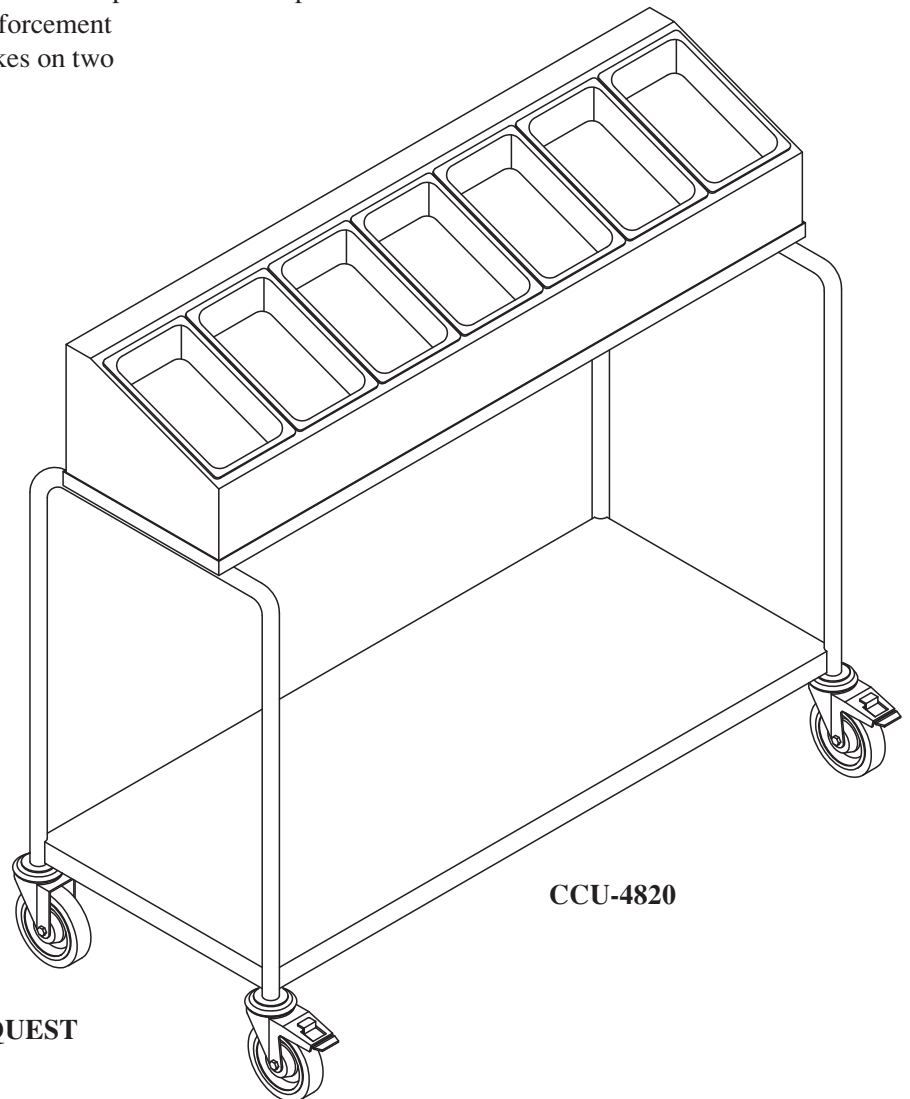
DIMENSIONS:

Width: 48" / 1219mm

Depth : 20" / 508mm

Height: 45" / 1143mm

Weight : 105 Lbs. / 47.7 Kg



OTHER SIZES AVAILABLE UPON REQUEST