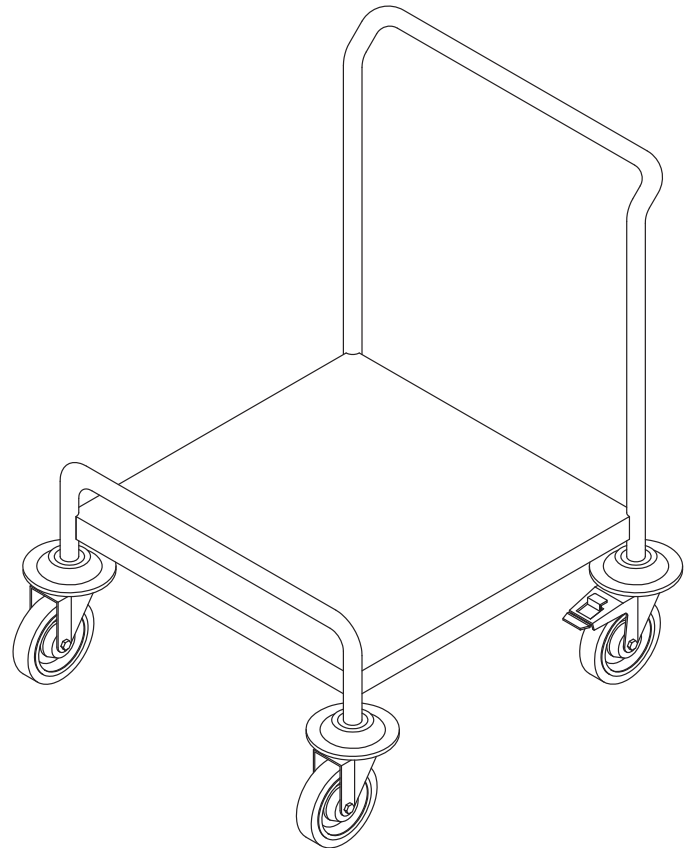


PLATFORM CART **PC**

SPECIFICATIONS:

- Heavy duty construction
- Stainless steel 304 # 4
- 1" tubing frame
- 14 ga platform fully welded to the frame
- 5"Ø all swivel, non marking casters with brakes on two
- Platform is 8" (200mm) off the floor for sanitary help
- Donut bumper on each wheel



**OTHER SIZES AVAILABLE UPON REQUEST
WIDTH AND DEPTH DIMENSIONS INCLUDE BUMPER**

MODEL NUMBER	PC-3044	PC-3038	PC-3032	PC-2444	PC-2438	PC-2432
OVERALL WIDTH Inch / mm	35" 889 mm	35" 889 mm	35" 889 mm	29" 737 mm	29" 737 mm	29" 737 mm
OVERALL DEPTH Inch / mm	50" 1 270 mm	44" 1 118 mm	38" 965 mm	50" 1 270 mm	44" 1 118 mm	38" 965 mm
OVERALL HEIGHT Inch / mm	36" 914mm	36" 914mm	36" 914mm	36" 914mm	36" 914mm	36" 914mm

