

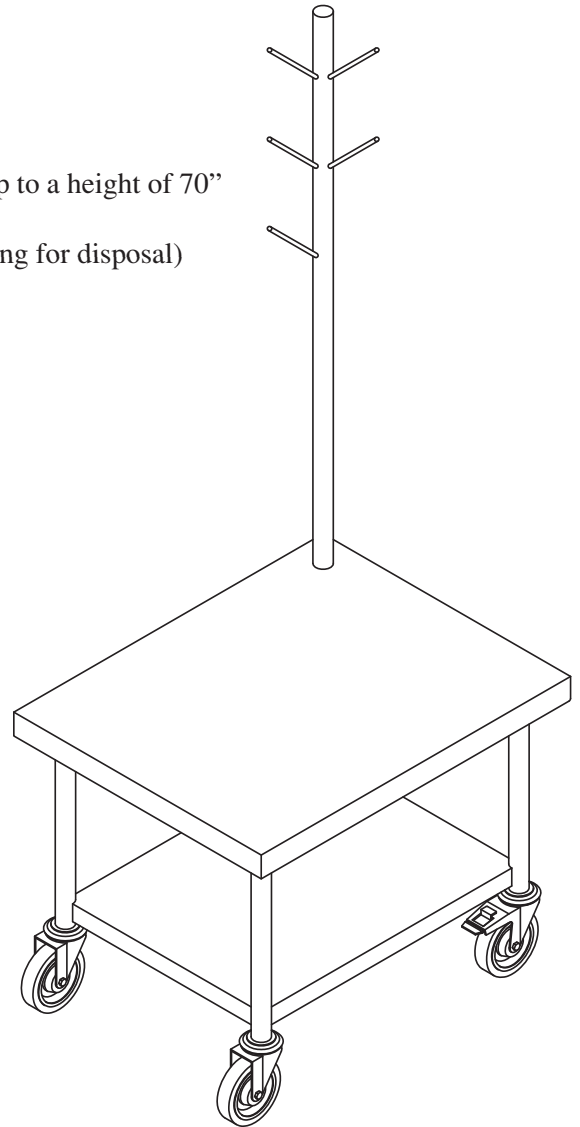
MIXER CART **MC**

SPECIFICATIONS:

Heavy duty construction
 Stainless steel 304 # 4
 16 ga top reinforced by two 14 ga channels
 Stainless steel 1 5/8" tubing legs including one that extend through top to a height of 70"
 16 ga bottom shelf fully welded to the legs
 Includes five 6" long pegs made of 5/16" stainless steel rod (see drawing for disposal)
 5"Ø all swivel, non marking casters with brakes on two

OPTIONS:

Adjustable legs



OTHER SIZES AVAILABLE UPON REQUEST

MODEL NUMBER	WIDTH Inch / mm	DEPTH Inch / mm	HEIGHT Inch / mm
MC-2430	24.00" 610 mm	30.00" 762 mm	70" 1778 mm