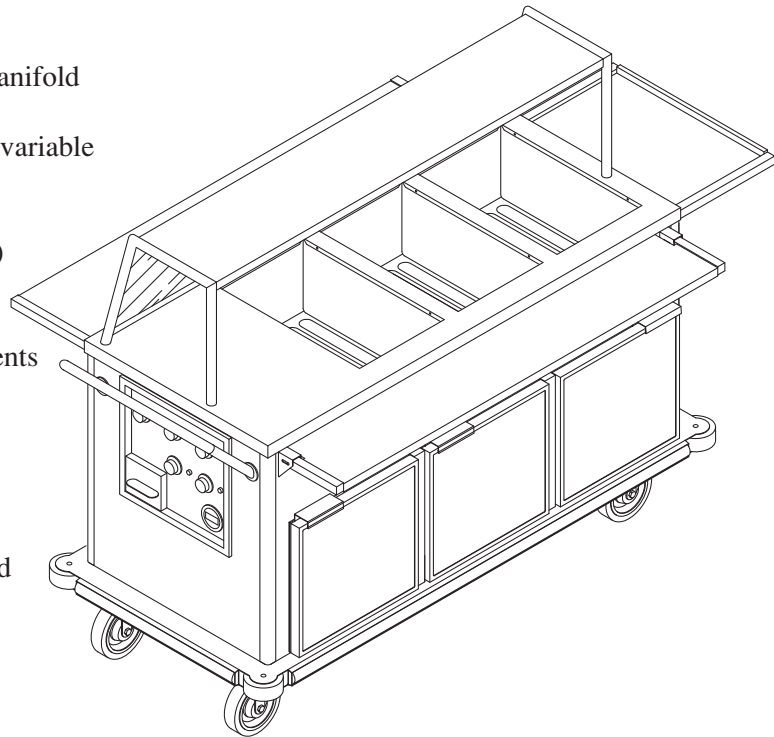


CATERER CART **CC**

SPECIFICATIONS:

- Heavy duty construction, institutional caliber
- Stainless steel 304 # 4 on all exposed surfaces
- All wells have individual drains connected to a common manifold and drain valve
- Each well and compartment is individually controlled by a variable heat thermostat with a "THERMOSTAT ON" pilot light
- End mounted controls
- CSA approved (electric specifications available on request)
- Insulated stainless steel removable doors
- Completely insulated bottom compartments
- Bottom compartments (2) heated by 500 watt radiant elements
- Bottom compartment (1) cooled by eutectic plates
- "Easy to clean" bottom compartments with coved corners and removable pan slides
- Directional stainless steel tubular handle
- Removable tray slide on fold down brackets
- Stainless steel upper shelf with tempered glass sneeze guard
- 6" heavy duty, swivel, non marking casters
- Rotating corner bumpers and wrap around bumper



OPTIONS:

- Laminated plastic finish

THE MODELS PRESENTED ARE FOR INFORMATION ONLY. PLEASE CONTACT US FOR A CUSTOMIZED CART THAT FITS YOUR NEEDS.

**OTHER SIZES AND MODIFICATIONS AVAILABLE UPON REQUEST
WIDTH AND DEPTH DIMENSIONS INCLUDE BUMPER**

MODEL NUMBER	WIDTH Inch / mm	DEPTH Inch / mm	HEIGHT Inch / mm
CC-3	65.25" 15881mm	31.50" 800mm	36.75"/ 51.75" 934mm/ 1315mm
CC-2	46.75" 1188mm	31.50" 800mm	36.75"/ 51.75" 934mm/ 1315mm

